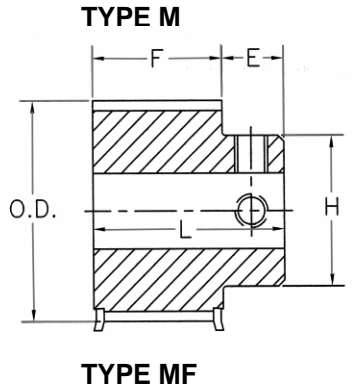




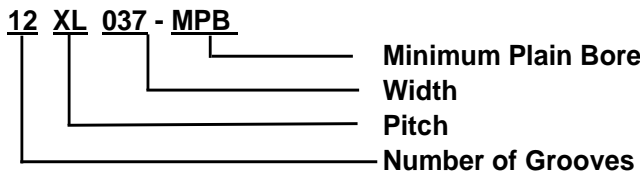
1/5" pitch (XL) stock pulley dimensions positive drive pulleys



ALL "XL" PULLEYS ARE DRILLED AND TAPPED. TWO SET SCREWS ARE INCLUDED NOT INSTALLED.

Figure Following Letter in Column Headed "TYPE" in Table Below Indicates Sheave Construction
1 - Solid, No Web. 2 - Web. 3 - Arms "F" Indicates Flanged Pulley

Part Number Explanation



Pulleys stocked in 3/8 inch (XL037) width only. For belts 1/4 inch (XL025), 5/16 inch (XL031), and 3/8 inch (XL037) wide.

Steel Part Number	Aluminum Part Number	Number of Grooves	Pitch Diameter	Outside Diameter		Type	Dimensions, Inches				Bore Range		Steel Weight Lbs (Approx.)	Aluminum Weight Lbs (Approx.)
				Pulley	Flange		E	L	H	F	Min ^	Max		
10XL037MPB		10	.637	.617	29/32	M1F	7/32	25/32	7/16	9/16	3/16	1/4	.03	
11XL037MPB		11	.700	.680	29/32	M1F	7/32	25/32	7/16	9/16	3/16	1/4	.03	
12XL037MPB	12AXL037MPB	12	.764	.744	31/32	M1F	7/32	25/32	1/2	9/16	3/16	5/16	.06	.03
14XL037MPB	14AXL037MPB	14	.891	.871	1-7/64	M1F	7/32	25/32	9/16	9/16	1/4	3/8	.06	.05
15XL037MPB	15AXL037MPB	15	.955	.935	1-3/16	M1F	7/32	25/32	5/8	9/16	1/4	7/16	.09	.06
16XL037MPB	16AXL037MPB	16	1.019	.999	1-1/4	M1F	7/32	25/32	11/16	9/16	1/4	3/8	.09	.06
18XL037MPB	18AXL037MPB	18	1.146	1.126	1-3/8	M1F	7/32	25/32	13/16	9/16	1/4	9/16	.13	.09
20XL037MPB	20AXL037MPB	20	1.273	1.253	1-1/2	M1F	5/16	7/8	15/16	9/16	1/4	11/16	.19	.12
21XL037MPB	21AXL037MPB	21	1.377	1.317	1-9/16	M1F	5/16	7/8	15/16	9/16	1/4	11/16	.19	.12
22XL037MPB	22AXL037MPB	22	1.401	1.381	1-5/8	M1F	5/16	7/8	1	9/16	1/4	3/4	.22	.12
24XL037MPB	24AXL037MPB	24	1.528	1.508	1-3/4	M1F	5/16	7/8	1-1/16	9/16	1/4	13/16	.25	.15
28XL037MPB	28AXL037MPB	28	1.783	1.763	2	M1F	5/16	7/8	1-3/16	9/16	1/4	15/16	.34	.21
30XL037MPB	30AXL037MPB	30	1.910	1.890	2-1/8	M1F	5/16	7/8	1-3/8	9/16	5/16	1-1/16	.41	.22
32XL037MPB	32AXL037MPB	32	2.037	2.017		M1	7/16	1	1-1/2	9/16	5/16	1-3/16	.53	.25
36XL037MPB	36AXL037MPB	36	2.292	2.272		M1	7/16	1	1-1/2	9/16	5/16	1-3/16	.75	.30
40XL037MPB	40AXL037MPB	40	2.546	2.526		M1	7/16	1	1-1/2	9/16	5/16	1-3/16	.90	.31
42XL037MPB	42AXL037MPB	42	2.674	2.654		M2/M1*	7/16	1	1-5/8	9/16	5/16	1-3/16	1.06	.31
44XL037MPB	44AXL037MPB	44	2.801	2.781		M2/M1*	7/16	1	1-5/8	9/16	5/16	1-3/16	1.31	.31
48XL037MPB	48AXL037MPB	48	3.056	3.036		M2	7/16	1	1-5/8	9/16	5/16	1-3/16	1.50	.38
60XL037MPB	60AXL037MPB	60	3.820	3.800		M2	7/16	1	1-5/8	9/16	3/8	1-3/16	1.40	.38
72XL037MPB	72AXL037MPB	72	4.584	4.564		M2	7/16	1	1-5/8	9/16	3/8	1-3/16	1.75	.50

^ Minimum plain bore only carried in stock

Maximum bore possible without keyseat

* Aluminum in this size is M1 style